

Kappa

Wrought iron is an old art, dating back about one thousand years in Europe. The medieval styling of the **Kappa** collection takes advantage of the material's natural character to create unique pieces that lend their distinction to the architecture in which they are used.

Applications

Kappa collection hardware is suitable for interior or exterior residential use as well as commercial applications such as storefronts, restaurants etc. The mortise entry set from this series is sold as a complete set with a standard American style UL listed mortise lock. All other trim sets are only suitable for use with European style mortises. Please see the "Mortise locks and latches" section of the AHI catalog for detailed descriptions of lock types and functions.

Finish

All articles of the **Kappa** collection are surface treated to a finish we call **wrought iron classic black**. The modern process used keeps the look of classic wrought iron while dramatically increasing its resistance to oxidation. Corrosion resistance in 150-hour salt atmosphere test was equal to automotive industry standards.

How to order

Ironworks trim sets are ordered by specifying its component parts as follows:

	Lever #	Backplate #	Function #	Door Handing	Finish
e.g.	LV148	RO030		RH	Classic black

- For the function requirement, specify the appropriate lock part number from the "Mortise locks and latches" section of this catalog.

Where dummies are required, use the following function codes:

Single dummy -
Double dummy -

- For mortise entry set specify part number, backset, door handing, door thickness and cylinder length.

- When ordered as part of a complete set, backplates are supplied with appropriate turnpiece or cylinder hole. Backplates ordered separately must specify function (no hole, with turnpiece or with profile cylinder hole) as well as center to center spacing.

9902 Mortise entry set

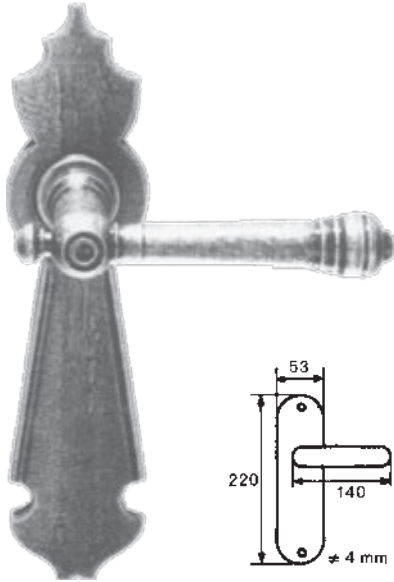


Overall length 17 1/4"

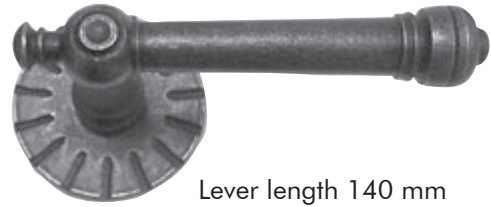
Packaged as a complete set and includes:

- Exterior escutcheon and thumb latch
- Interior escutcheon with turnpiece and your choice of lever
- Mortise lock case
(2 1/2" or 2 3/4" backset available)
- Mortise cylinder
(1", 1 1/8" or 1 1/4" available)
- Spindle and all fastening screws

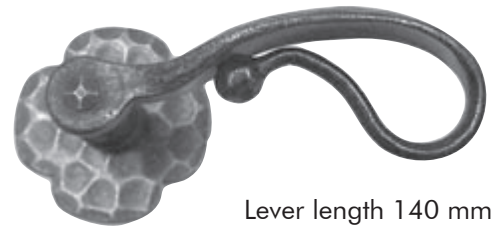
LV 066 Lever
RO 125 Backplate



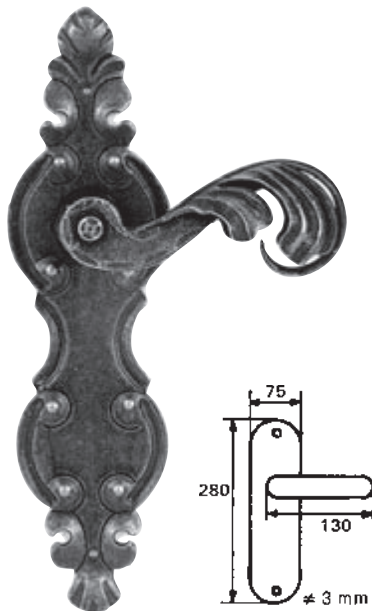
LV 066 Lever
K030 Rosette
Suitable for 2 1/8" standard door preparation



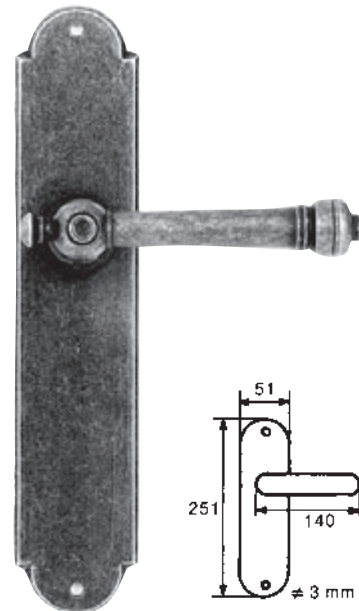
LV 148 Lever
K011 Rosette
Suitable for 2 1/8" standard door preparation



LV 080 Lever
K580 Backplate



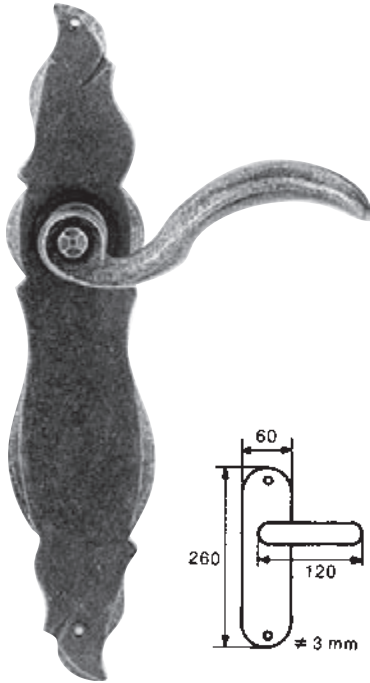
LV 066 Lever
K068 Backplate



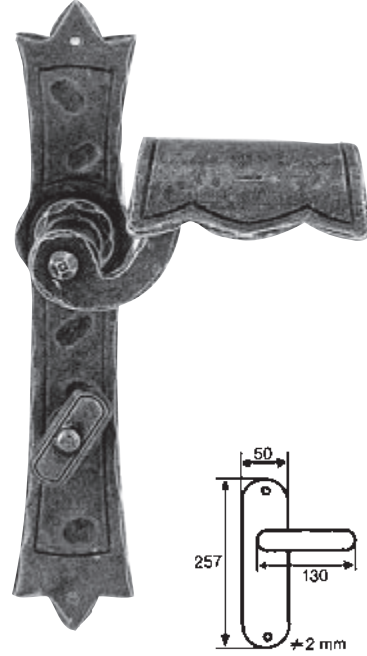
All levers, rosettes and backplates are interchangeable.



LV 094 Lever
K005 Backplate



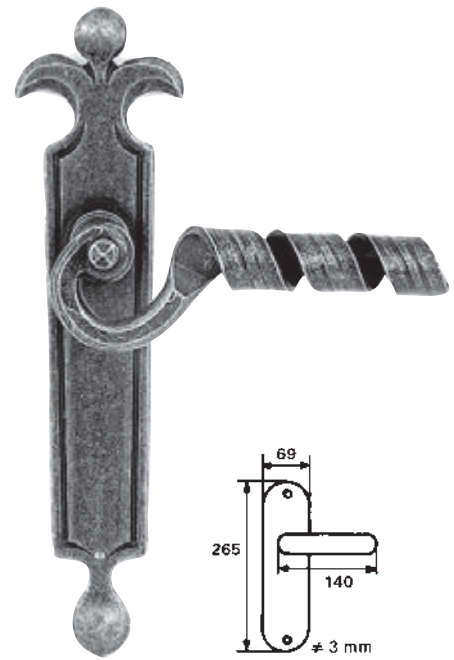
LV 100 Lever
K122 Backplate



LV 167 Lever
K166 Backplate

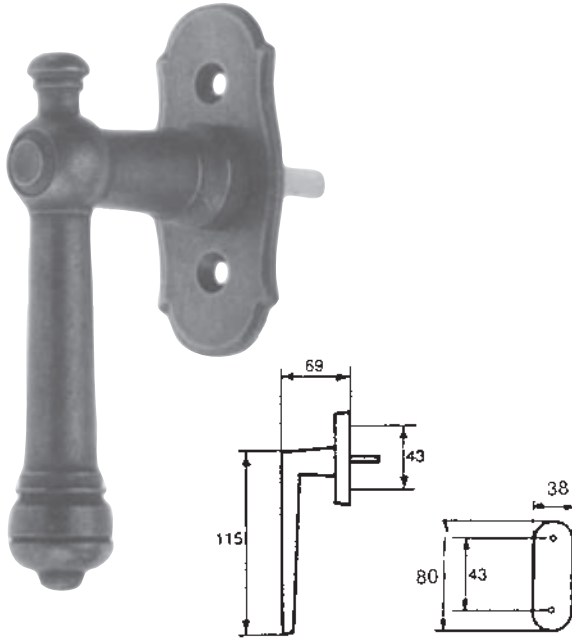


LV 041 Lever
K150 Backplate

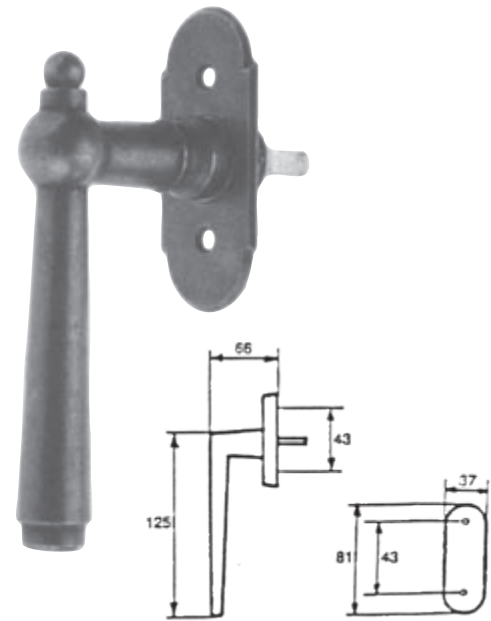


All levers, rosettes and backplates are interchangeable.

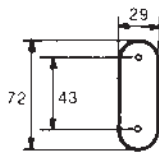
035 Window handle



038 Window handle



RO 043 Cylinder collar



RO 044 Rosette



028 Fixed knobs

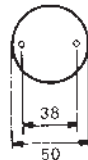


028.85
85 mm

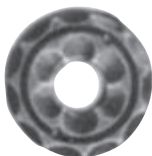
028.60
60 mm

028.50
50 mm

RO 045 Cylinder collar



RO 046 Rosette



K8920 Flush pull



	A	B	C	D	E	F
8920.01	50	48	83	99	18	65 9

All levers, rosettes and backplates are interchangeable.



K002 Door knocker

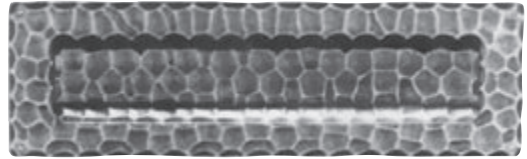
K003 Door knocker



Plate Ø 90 mm
Ring Ø 105 mm

Plate Ø 75 mm
Ring Ø 75 mm

K007 Letter slot



Overall measurements 285x 85 mm
Door cavity 235x40 mm

K013 Decorative hinge appliqué



320x110 mm

K014 Numerals



Height 130 mm

K009 Decorative hinge appliqué



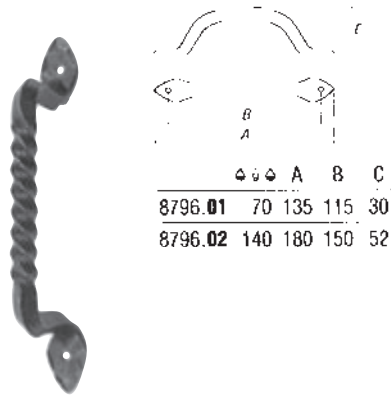
260x130 mm

K0127 Decorative hinge appliqué



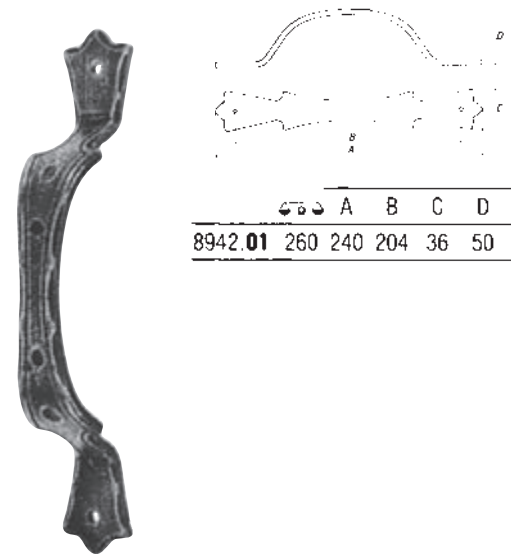
600x50 mm

K8796 Pull



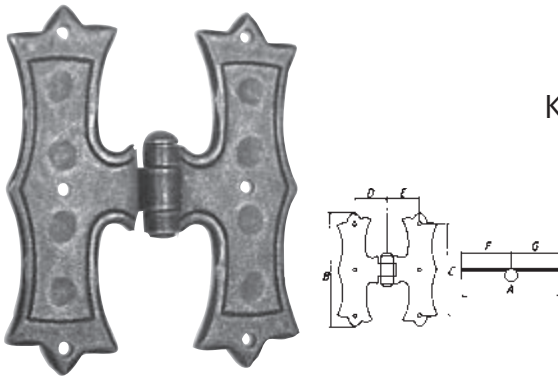
	A	B	C
8796.01	70	135	115 30
8796.02	140	180	150 52

K8942 Door Pull



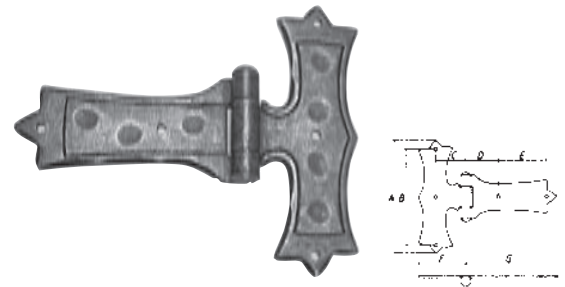
	A	B	C	D
8942.01	260	240	204	36 50

K8932 Cabinet hinge



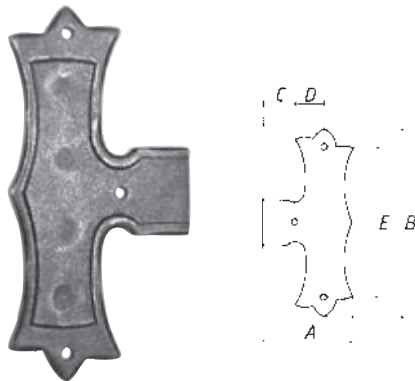
	A	B	C	D	E	F	G
8932.02	105	87	106	90	27	27	43,5 43,5

K8934 Cabinet hinge



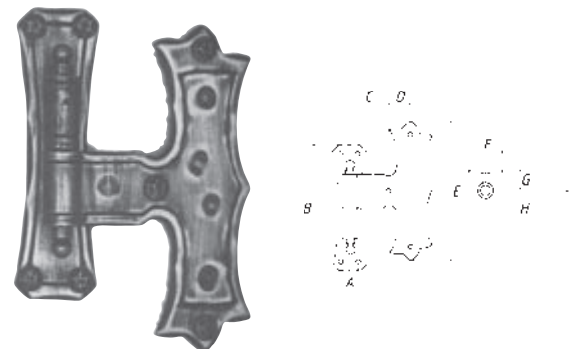
	A	B	C	D	E	F	G
8934.01	105	106	90	28	31	45	44 87

K8924 Decorative hinge appliqué



	A	B	C	D	E	
8924.01	35	44	90	16	14	76 2
8924.02	50	52	106	20	16	90 2

K8926 Cabinet hinge



	A	B	C	D	E	F	G	H
8926.01	95	14	81	26	14	90	23	13 54
8926.02	110	14	81	33	16	106	23	13 65