

Magnetic Latch Passage Installation Instructions

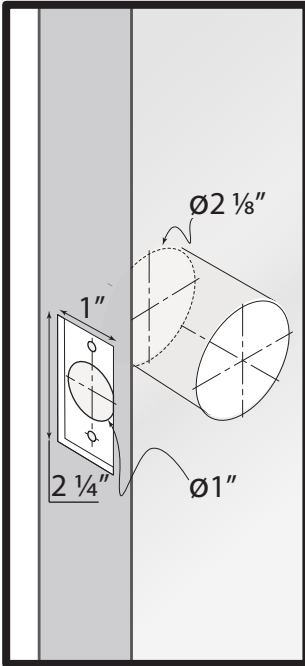
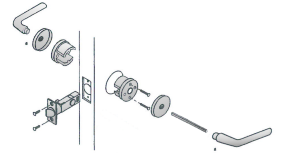


FIGURE 1
 Drill 2 1/8" hole at correct backset using included template

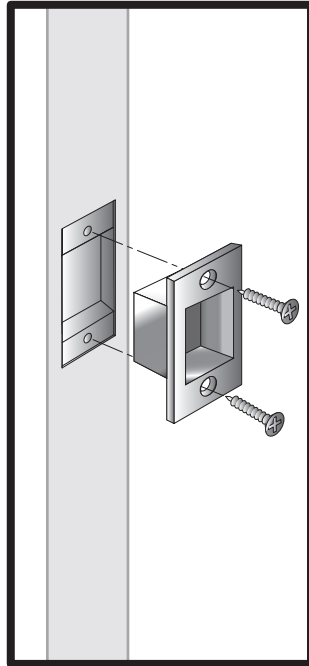


FIGURE 2
 Prepare frame for strike.
 $2\frac{3}{32}'' \times 1\frac{3}{16}''$
 $1'' \times 2\frac{1}{4}''$

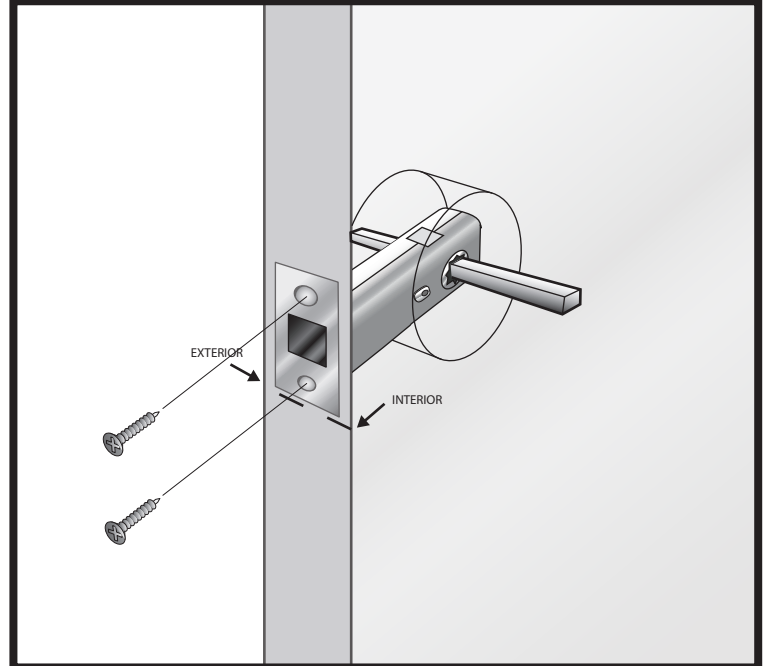


FIGURE 5
 1. Insert the magnetic latch into the slot and secure it using the provided wood screws

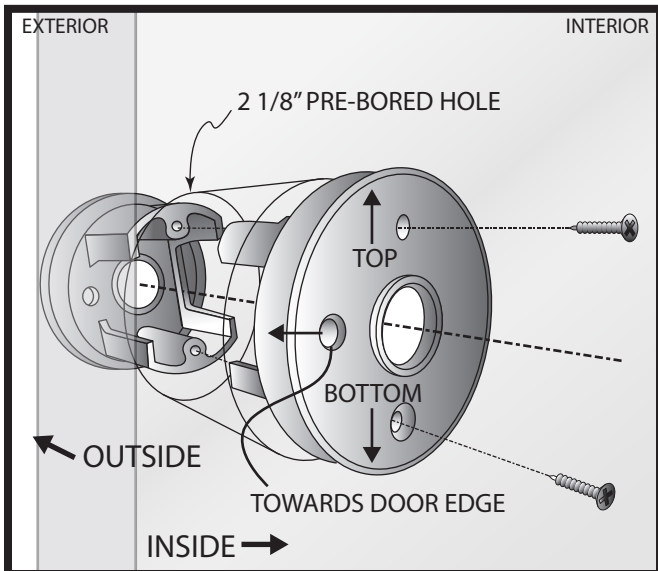


FIGURE 5
 1. Insert the sub rose into the 2 1/8" hole respecting the above orientation
 2. Insert screws into sub-rose but do not tighten

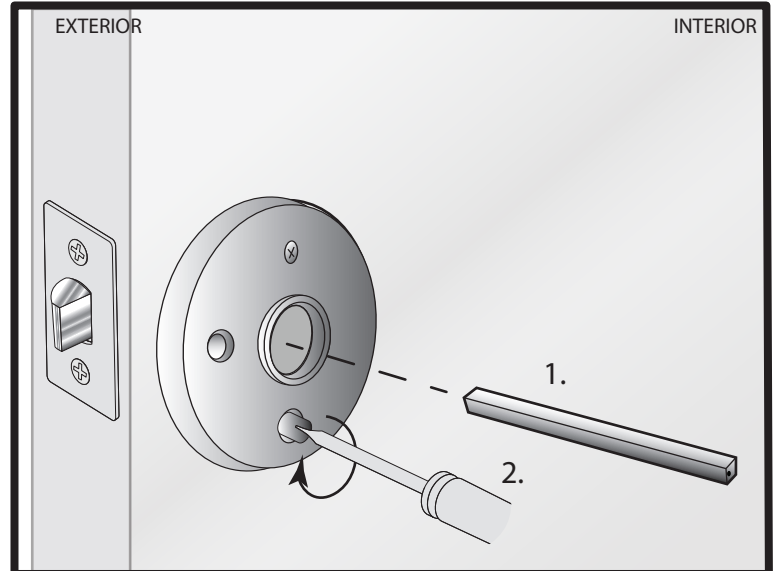


FIGURE 6
 1. Insert the spindle orienting the thin wall side towards the lever set screw (see fig. #8)
 2. Place the levers onto the spindle but do not tighten the lever set screw, the assembly will now be lined up
 3. Tighten the sub-rose screws
 4. Remove the levers

Magnetic Latch Passage Installation Instructions

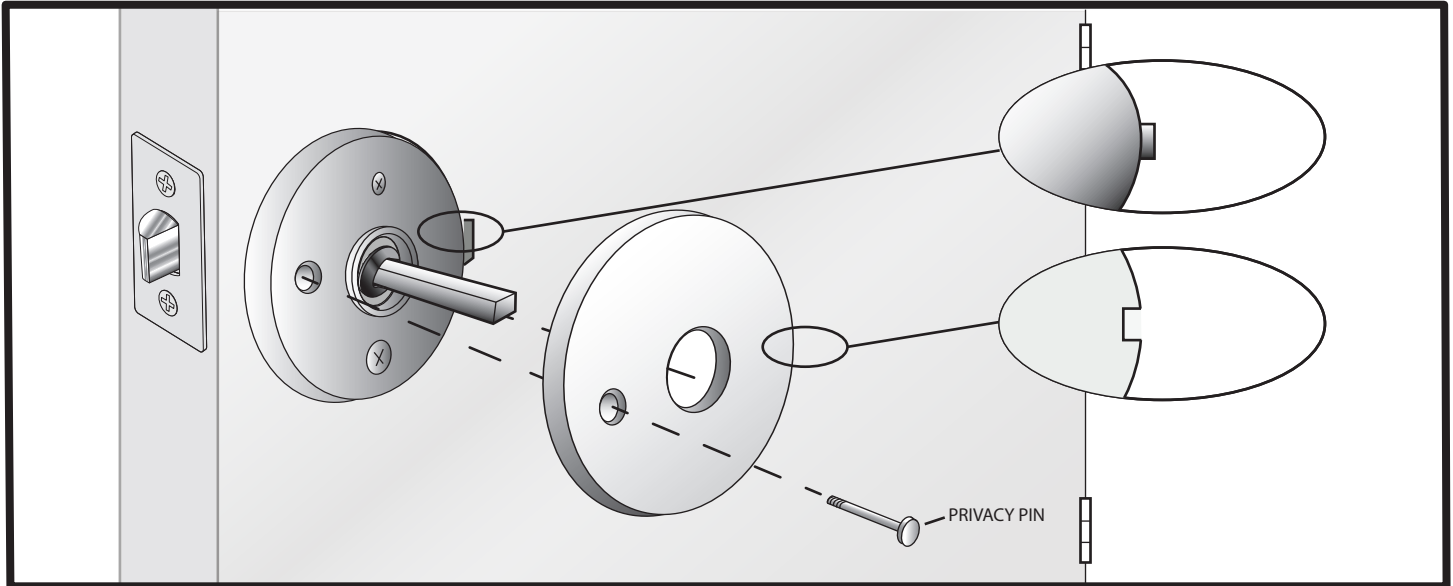
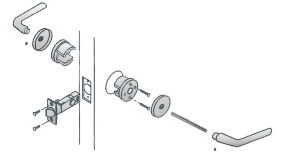


FIGURE 7

1. Snap metal cap onto both sides of the sub-rose paying attention to line up the tab on the sub-rose with the slot in the rose
2. Screw the privacy pin into the hole in the rose

FOR THE SIG204 SUARE ROSE:

- A – Place the square rose on the spindle followed by the lever.
- B – Once the lever and rose are in position, take a carpenter's square and make sure that the rose is square with the door edge.
- C – With the rose perfectly squared, apply a little pressure to the rose so that the tacks leave small marks on the door.
- D – Remove the lever and rose, and drill the marked spots – this will allow the tacks to penetrate the door without bending. Use a drill bit size which is slightly smaller than the diameter of the tack.
- E – Once the holes are drilled, replace the rose and press it firmly into place. If necessary, gently tap the rose with a soft mallet. Protect the rose with a clean cloth to avoid scratching.
- F – Attach the lever and secure it in place by tightening the set screw. Remember to refer to the set screw instructions – in order to properly attach the lever, the set screw must pierce the spindle.

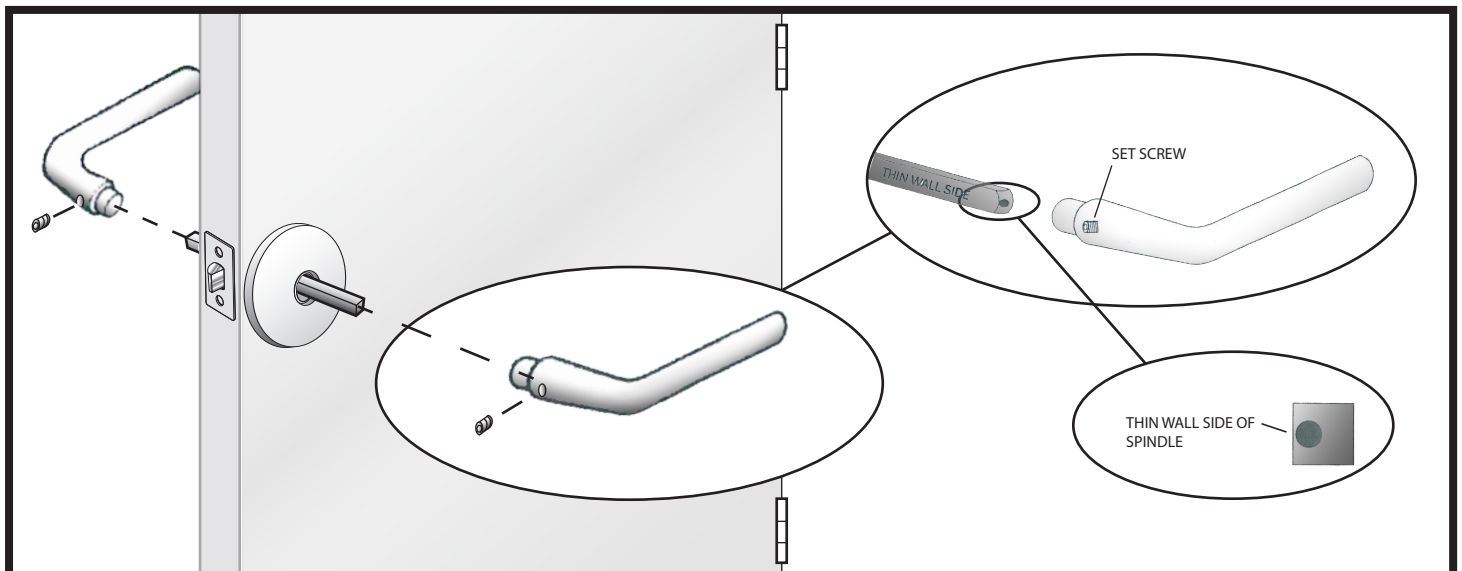


FIGURE 8

1. Place the levers on each side of the spindle and tighten each set screw until it pierces the thin wall side of the spindle. Note that the spindle **MUST** be installed such that the lever's set screw aligns with the THIN WALL SIDE of the spindle.
2. After piercing the spindle, keep tightening the set screw until it is firmly tightened